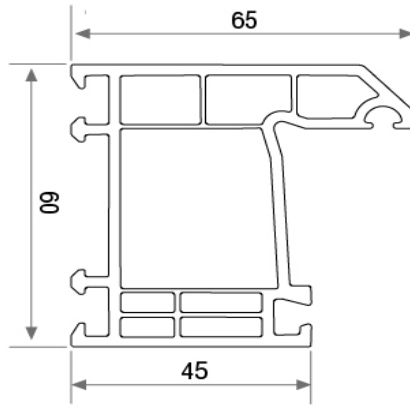


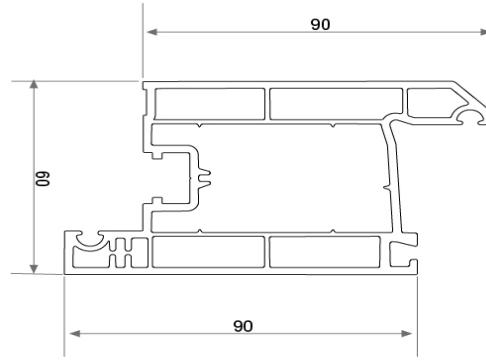
TECHNICAL DATA SHEET

Reference / Name	: U-PVC Polymer - 60mm Frame Profile(wiht casing)	
Construction	: 4 chamber hollow profile	
Composition	: 85% PVC, 15% Additives + Filling	
Sizes	: 60 x 56 X 83 mm	
Wall thickness	: 2,4 mm (+0,2)	
Length	: 6000 mm	
Weight	: 1,220 kg/m	
Classification	: EN 1026 Air Permeability	EN 12207 Class 4
	: EN 1027 Water Tightness	EN12208 Class 5A
	: EN 12211 Resistance to Wind Load	EN 12210 Class C5/B5
	: EN 12046-1 Operating Forces	EN 13115 Class 1
	: EN 14351-1 Load bearing Capacity of Safety Devices	EN 14351-1 Complied
	: EN 10077-1 Thermal Transmittance Uw	EN 10077-1 2,2W/(m2K)
Vicat Temperature	: $\geq 150^{\circ}\text{C}$ (Standard EN 306)	
The Strenght of Welded Corner and T-Connections (bar)	: 17.5 bar(3500N/m2)	(TS EN 514 - $\geq 10\text{bar}$)
Determination of heat reversion	: %1	(TS EN 479 - $\leq 1\%$)
Impact resistance-Mass Drop Determination	: %80 Resistant	(TS EN 477)
Quantity per pack	: 6 Piece	



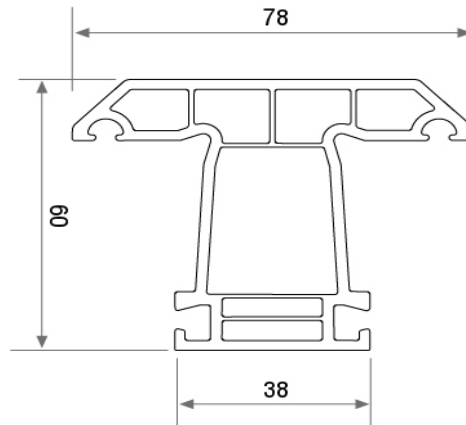
TECHNICAL DATA SHEET

Reference / Name	: U-PVC Polymer - Premier Frame Profile	
Construction	: 4 chamber hollow profile	
Composition	: 85% PVC, 15% Additives + Filling	
Sizes	: 60 x 65 x 45 mm	
Wall thickness	: 2,4 mm (+0,2)	
Length	: 6000 mm	
Weight	: 1,100 kg/m	
Classification	: EN 1026 Air Permeability	EN 12207 Class 4
	: EN 1027 Water Tightness	EN12208 Class 5A
	: EN 12211 Resistance to Wind Load	EN 12210 Class C5/B5
	: EN 12046-1 Operating Forces	EN 13115 Class 1
	: EN 14351-1 Load bearing Capacity of Safety Devices	EN 14351-1 Complied
	: EN 10077-1 Thermal Transmittance Uw	EN 10077-1 2,2W/(m2K)
Vicat Temperature	: $\geq 150^{\circ}\text{C}$ (Standard EN 306)	
The Strenght of Welded Corner and T-Connections (bar)	: 17 bar(3400N/m2)	(TS EN 514 - $\geq 10\text{bar}$)
Determiation of heat reversion	: %1	(TS EN 479 - $\leq 1\%$)
Impact resistance-Mass Drop Determiation	: %80 Resistant	(TS EN 477)
Quantity per pack	: 6 Piece	



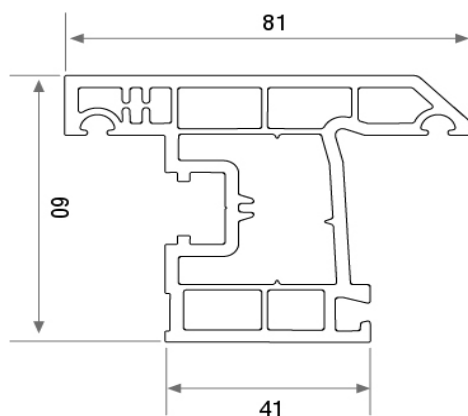
TECHNICAL DATA SHEET

Reference / Name	: U-PVC Polymer - Premier inner Opening Door Profile	
Construction	: 3 chamber hollow profile	
Composition	: 85% PVC, 15% Additives + Filling	
Sizes	: 60 x 90 x 90 mm	
Wall thickness	: 2,4 mm (+0,2)	
Length	: 6000 mm	
Weight	: 1,650 kg/m	
Classification	: EN 1026 Air Permeability	EN 12207 Class 4
	: EN 1027 Water Tightness	EN12208 Class 5A
	: EN 12211 Resistance to Wind Load	EN 12210 Class C5/B5
	: EN 12046-1 Operating Forces	EN 13115 Class 1
	: EN 14351-1 Load bearing Capacity of Safety Devices	EN 14351-1 Complied
	: EN 10077-1 Thermal Transmittance Uw	EN 10077-1 2,2W/(m2K)
Vicat Temperature	: <u>> 150</u> °C (Standard EN 306)	
The Strength of Welded Corner and T-Connections (bar)	: 15 bar(3000N/m2)	(TS EN 514 - ≥10bar)
Determination of heat reversion	: %1	(TS EN 479 - ≤%1)
Impact resistance-Mass Drop Determination	: %80 Resistant	(TS EN 477)
Quantity per pack	: 4 Piece	



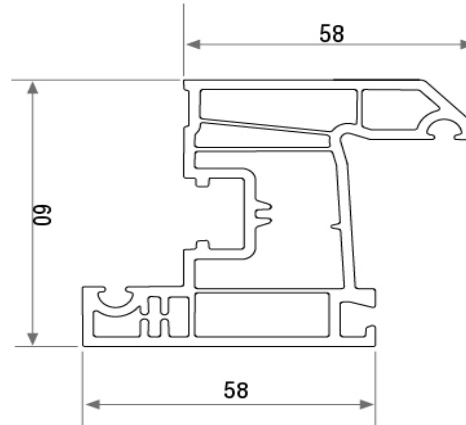
TECHNICAL DATA SHEET

Reference / Name	: U-PVC Polymer - Premier Mullion Profile	
Construction	: 4 chamber hollow profile	
Composition	: 60% PVC, 40% Additives + Filling	
Sizes	: 60 x 78 x 38 mm	
Wall thickness	: 2,4 mm (+0,2)	
Length	: 6000 mm	
Weight	: 1,180 kg/m	
Classification	: EN 1026 Air Permeability : EN 1027 Water Tightness : EN 12211 Resistance to Wind Load : EN 12046-1 Operating Forces : EN 14351-1 Load bearing Capacity of Safety Devices : EN 10077-1 Thermal Transmittance Uw	EN 12207 Class 4 EN12208 Class 5A EN 12210 Class C5/B5 EN 13115 Class 1 EN 14351-1 Complied EN 10077-1 2,2W/(m2K)
Vicat Temperature	: <u>> 150</u> °C (Standard EN 306)	
The Strenght of Welded Corner and T-Connections (bar)	: 16,5 bar(3300N/m2) (TS EN 514 - ≥10bar)	
Determination of heat reversion	: %1 (TS EN 479 - ≤%1)	
Impact resistance-Mass Drop Determination	: %80 Resistant (TS EN 477)	
Quantity per pack	: 6 Piece	



TECHNICAL DATA SHEET

Reference / Name	: U-PVC Polymer - Premier Outward Opening Sash Profile	
Construction	: 3 chamber hollow profile	
Composition	: 85% PVC, 15% Additives + Filling	
Sizes	: 60 x 81 x 41mm	
Wall thickness	: 2,4 mm (+0,2)	
Length	: 6000 mm	
Weight	: 1,420 kg/m	
Classification	: EN 1026 Air Permeability EN 1027 Water Tightness EN 12211 Resistance to Wind Load EN 12046-1 Operating Forces EN 14351-1 Load bearing Capacity of Safety Devices EN 10077-1 Thermal Transmittance Uw	EN 12207 Class 4 EN12208 Class 5A EN 12210 Class C5/B5 EN 13115 Class 1 EN 14351-1 Complied EN 10077-1 2,2W/(m2K)
Vicat Temperature	: ≥ 150 °C (Standard EN 306)	
The Strenght of Welded Corner and T-Connections (bar)	: 16 bar(3200N/m2) (TS EN 514 - ≥ 10 bar)	
Determination of heat reversion	: %1 (TS EN 479 - ≤ 1)	
Impact resistance-Mass Drop Determination	: %80 Resistant (TS EN 477)	
Quantity per pack	: 6 Piece	



TECHNICAL DATA SHEET

Reference / Name	: U-PVC Polymer - Premier Sash Profile	
Construction	: 4 chamber hollow profile	
Composition	: 85% PVC, 15% Additives + Filling	
Sizes	: 60 x 58 x 58 mm	
Wall thickness	: 2,4 mm (+0,2)	
Length	: 6000 mm	
Weight	: 1,280 kg/m	
Classification	: EN 1026 Air Permeability EN 1027 Water Tightness EN 12211 Resistance to Wind Load EN 12046-1 Operating Forces EN 14351-1 Load bearing Capacity of Safety Devices EN 10077-1 Thermal Transmittance Uw	EN 12207 Class 4 EN12208 Class 5A EN 12210 Class C5/B5 EN 13115 Class 1 EN 14351-1 Complied EN 10077-1 2,2W/(m2K)
Vicat Temperature	: ≥ 150 °C (Standard EN 306)	
The Strenght of Welded Corner and T-Connections (bar)	: 16 bar(3200N/m2) (TS EN 514 - ≥ 10 bar)	
Determination of heat reversion	: %1 (TS EN 479 - ≤ 1)	
Impact resistance-Mass Drop Determination	: %80 Resistant (TS EN 477)	
Quantity per pack	: 6 Piece	